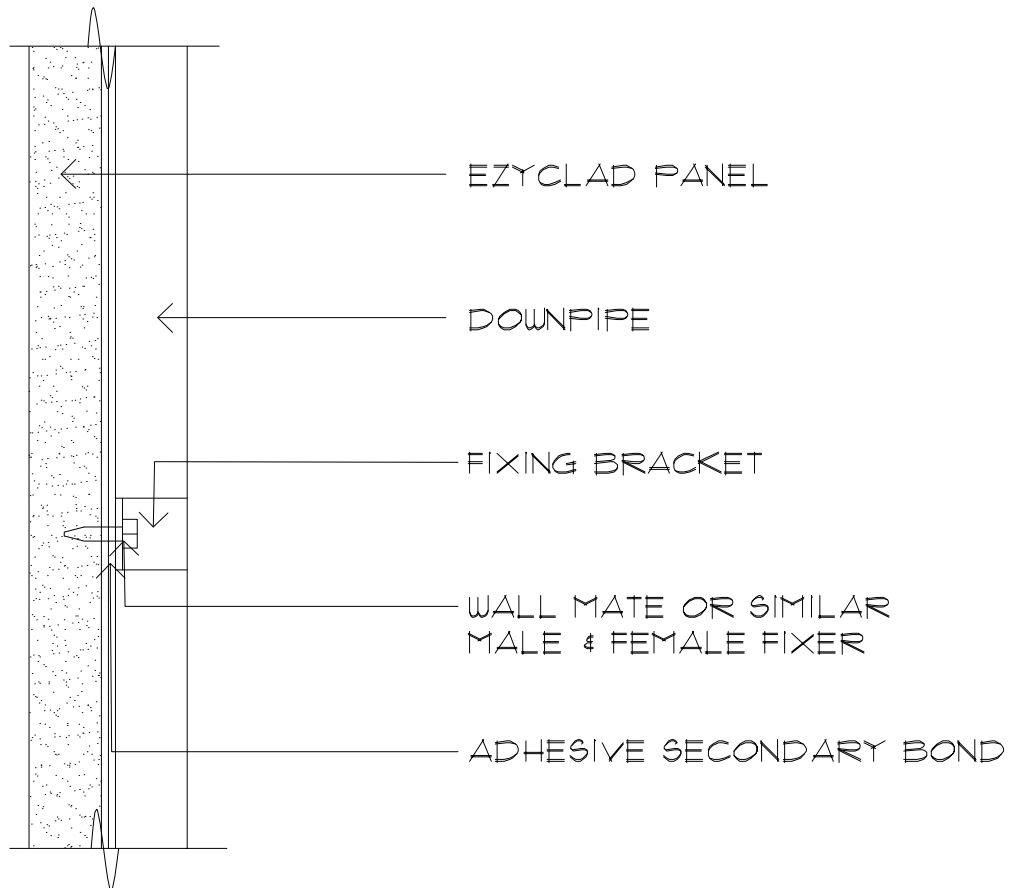


20mm - EPS BATTEN
45mm - TIMBER BATTEN

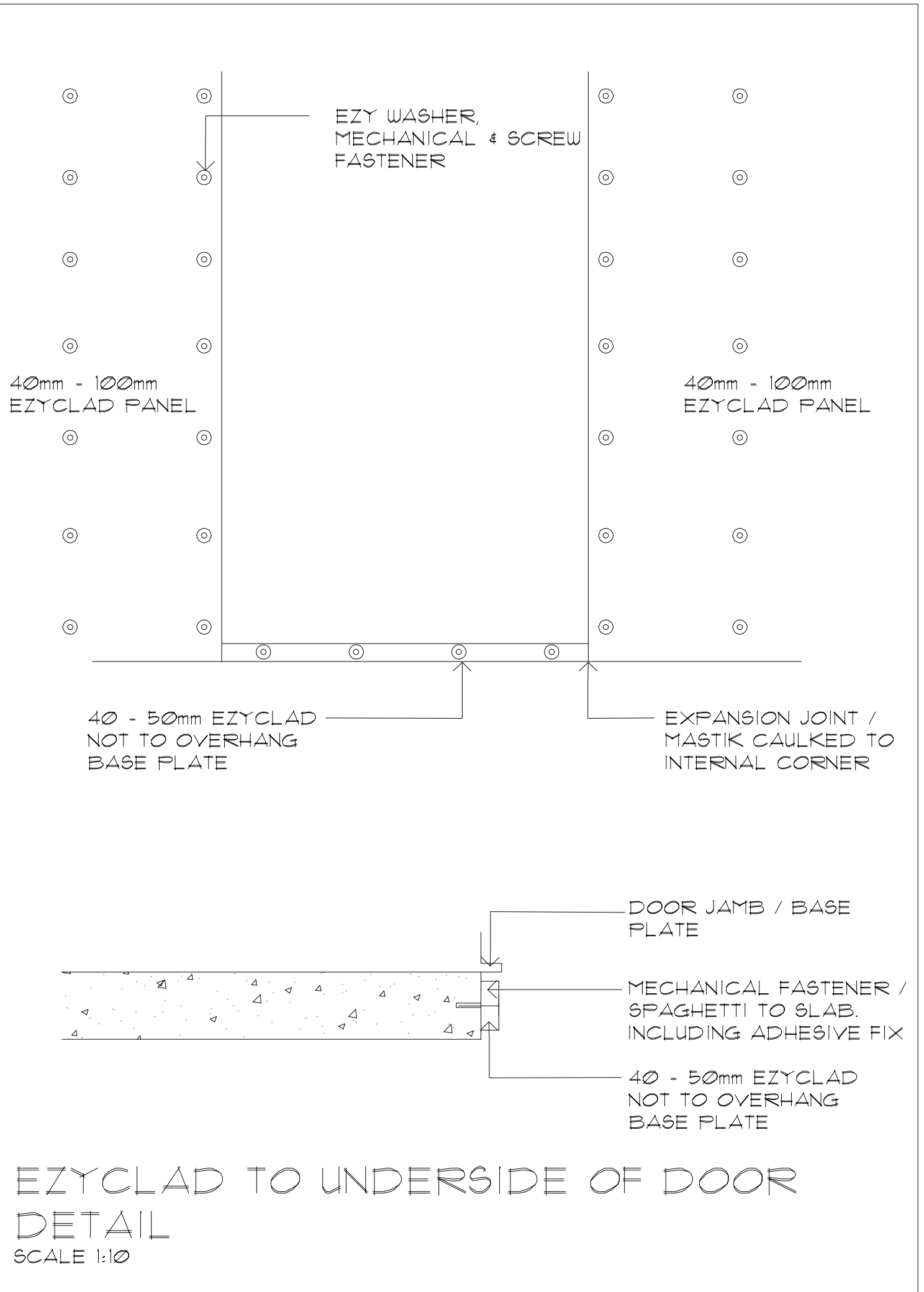
EZYCLAD CAVITY SYSTEM DETAIL

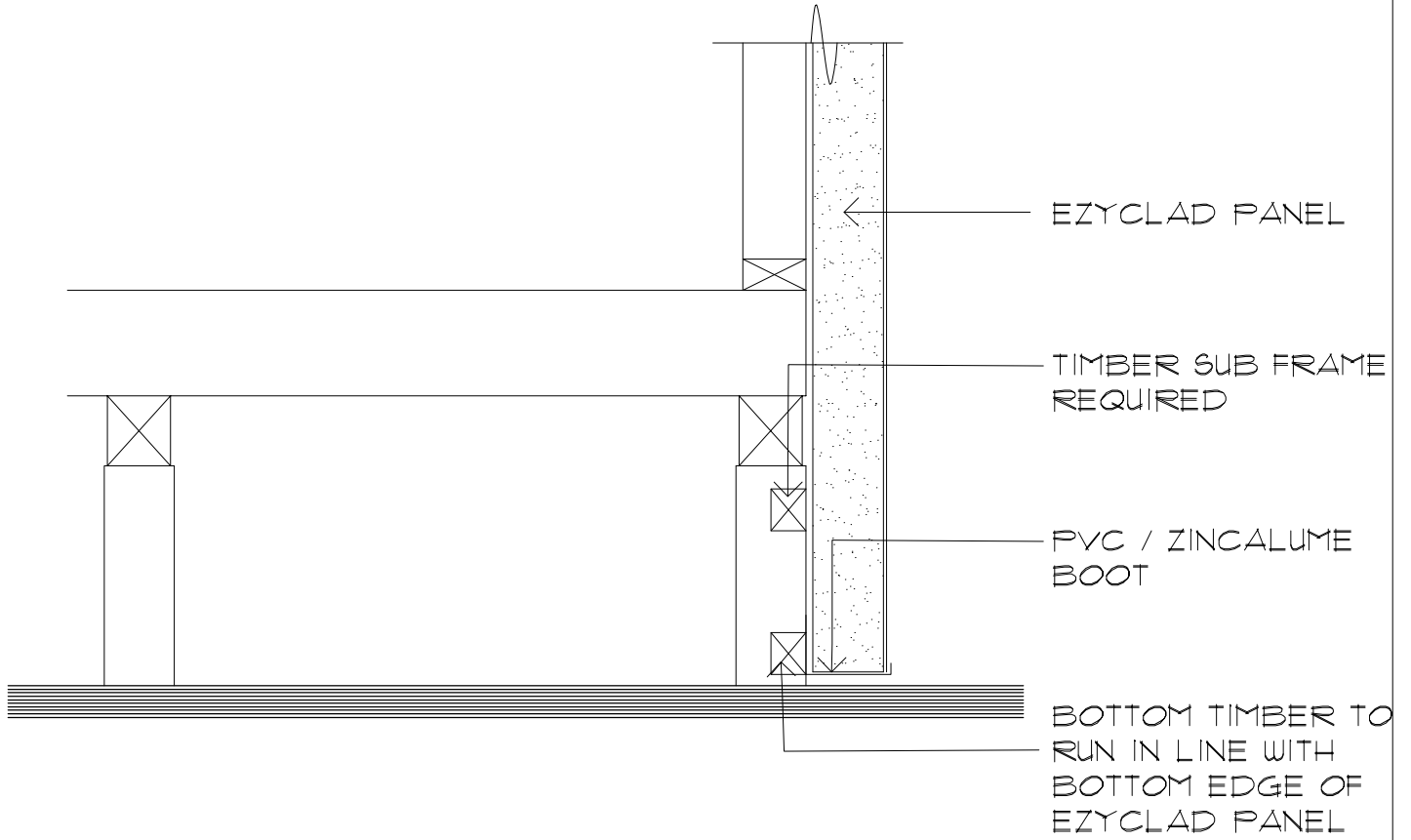
SCALE 1:10



FIXING OF DOWNPIPES/LIGHTWEIGHT FITTINGS TO EZYCLAD SYSTEM DETAIL

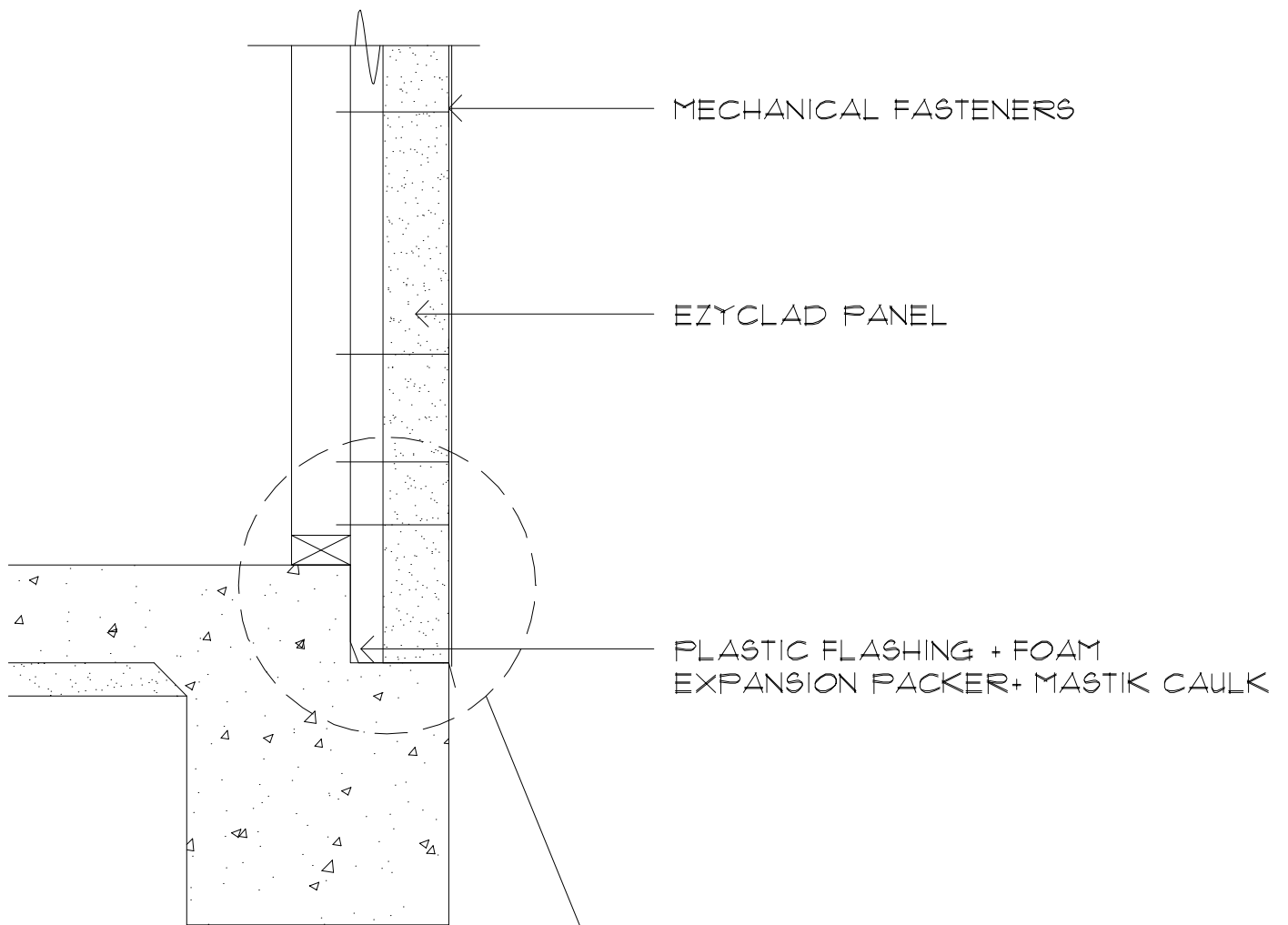
SCALE 1:10





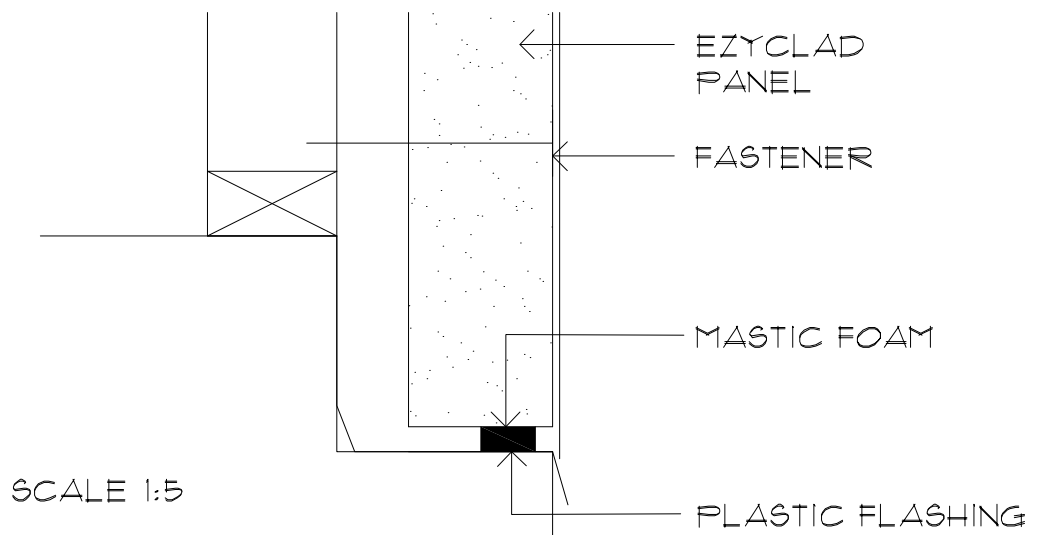
EZYCLAD TO STUMPS & BEARER DETAIL

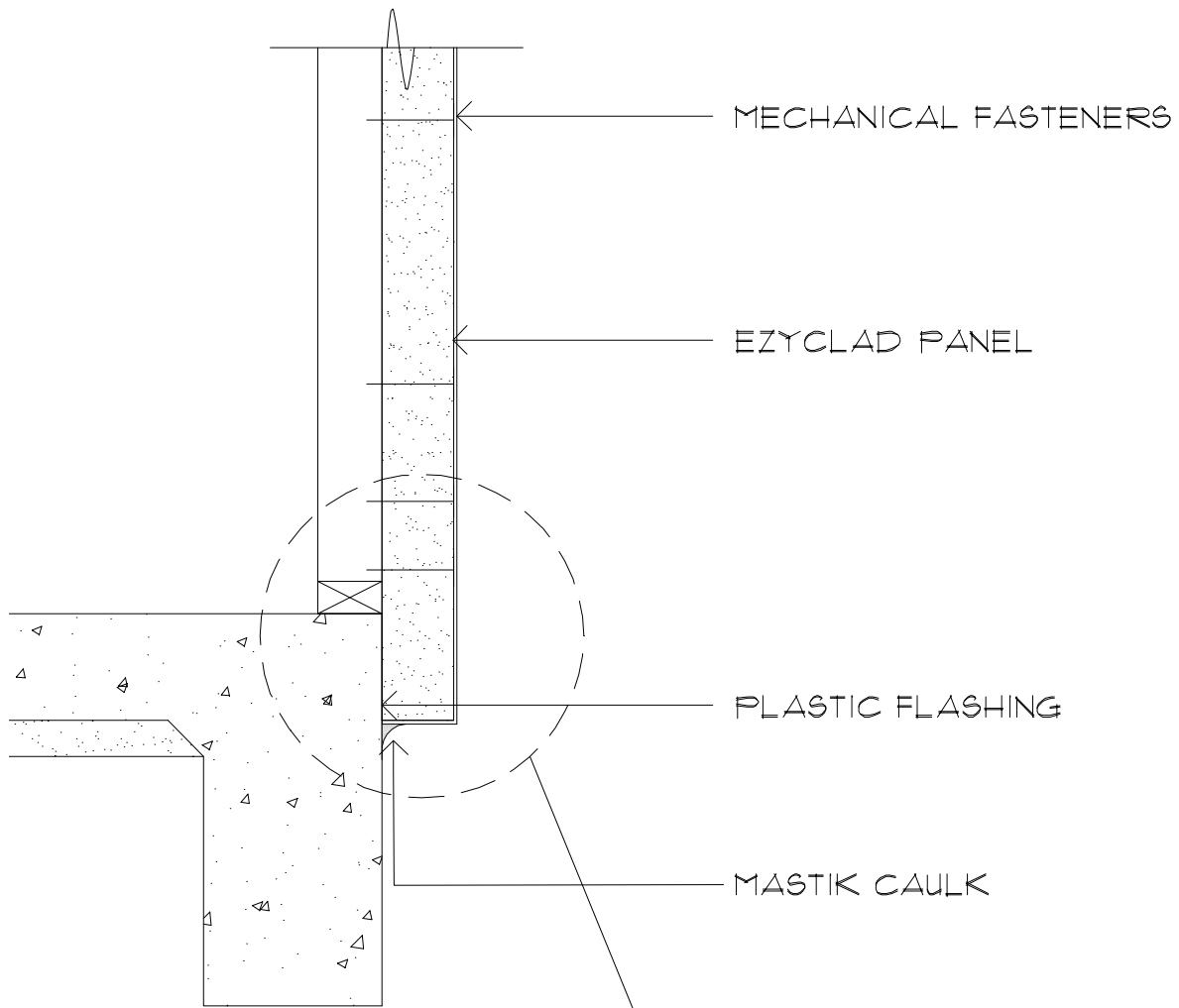
SCALE 1:10



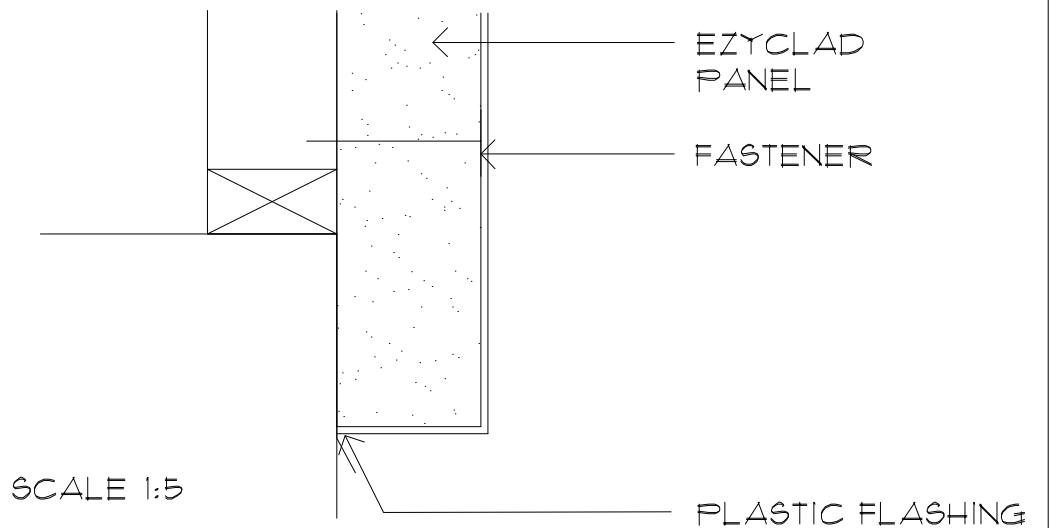
EZYCLAD TO SLAB REBATE DETAIL

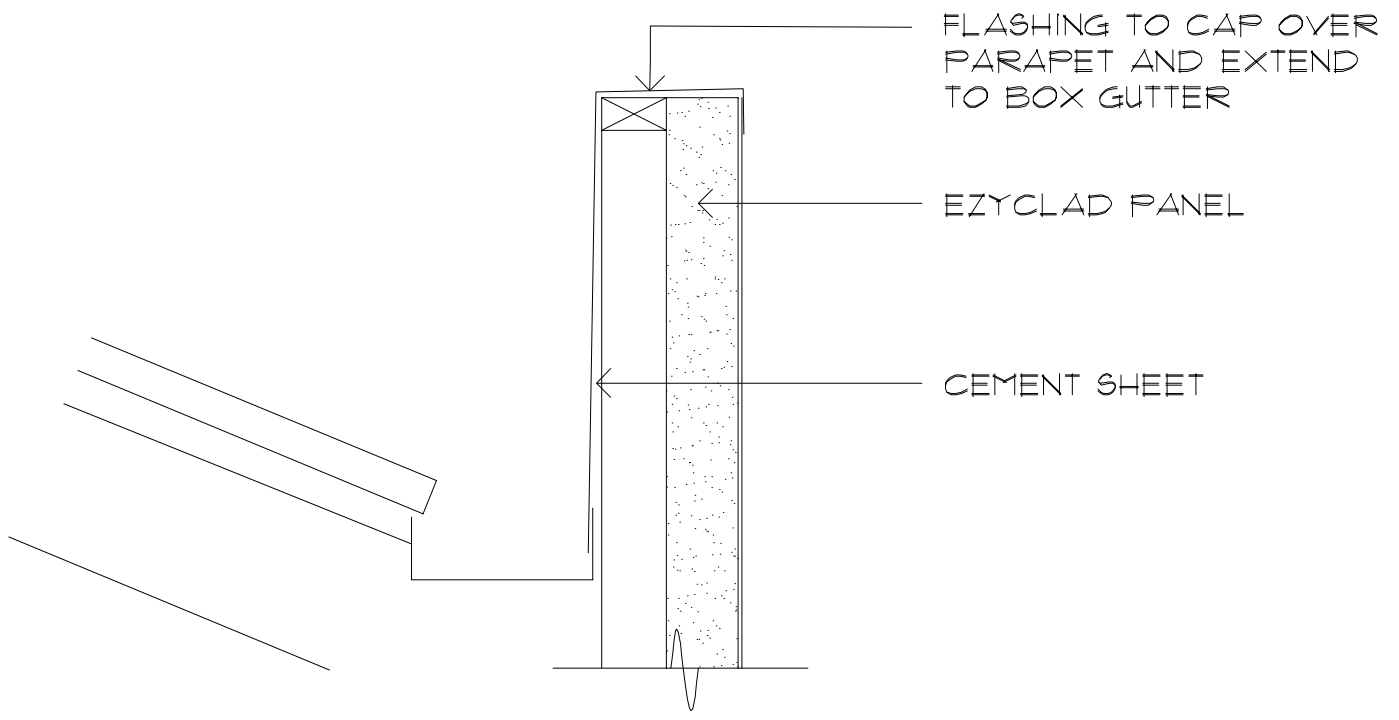
SCALE 1:10



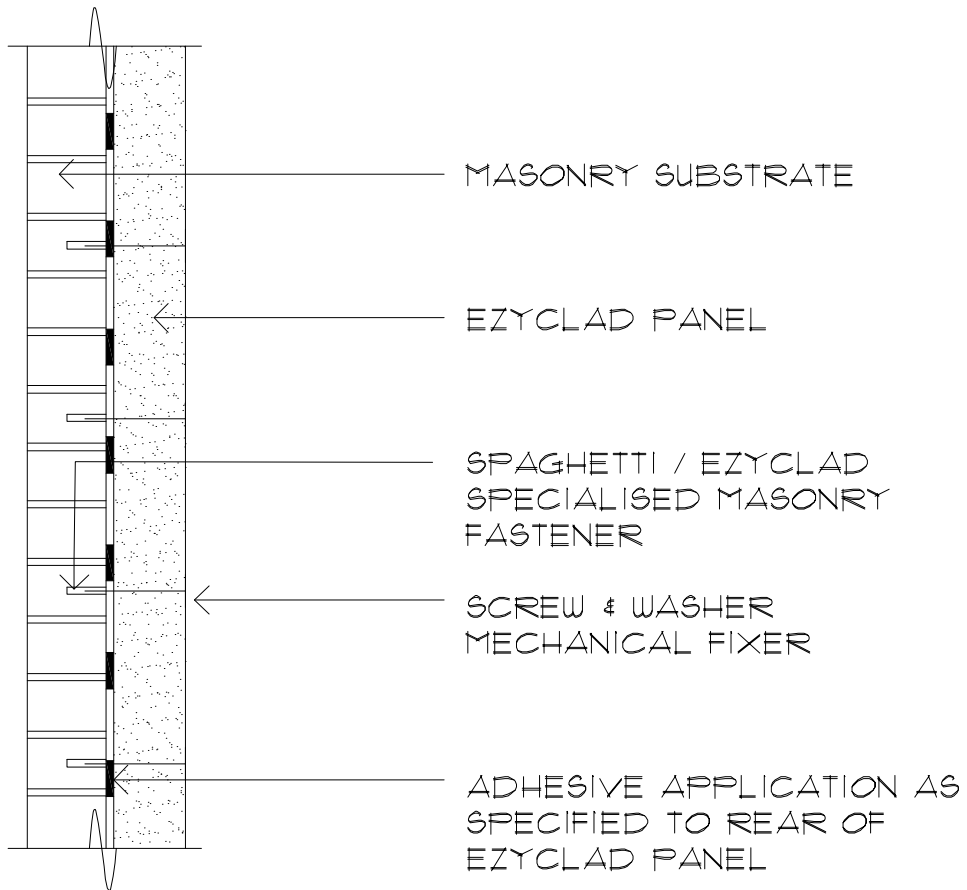


EZYCLAD TO SLAB WITH NO REBATE
 DETAIL
 SCALE 1:10



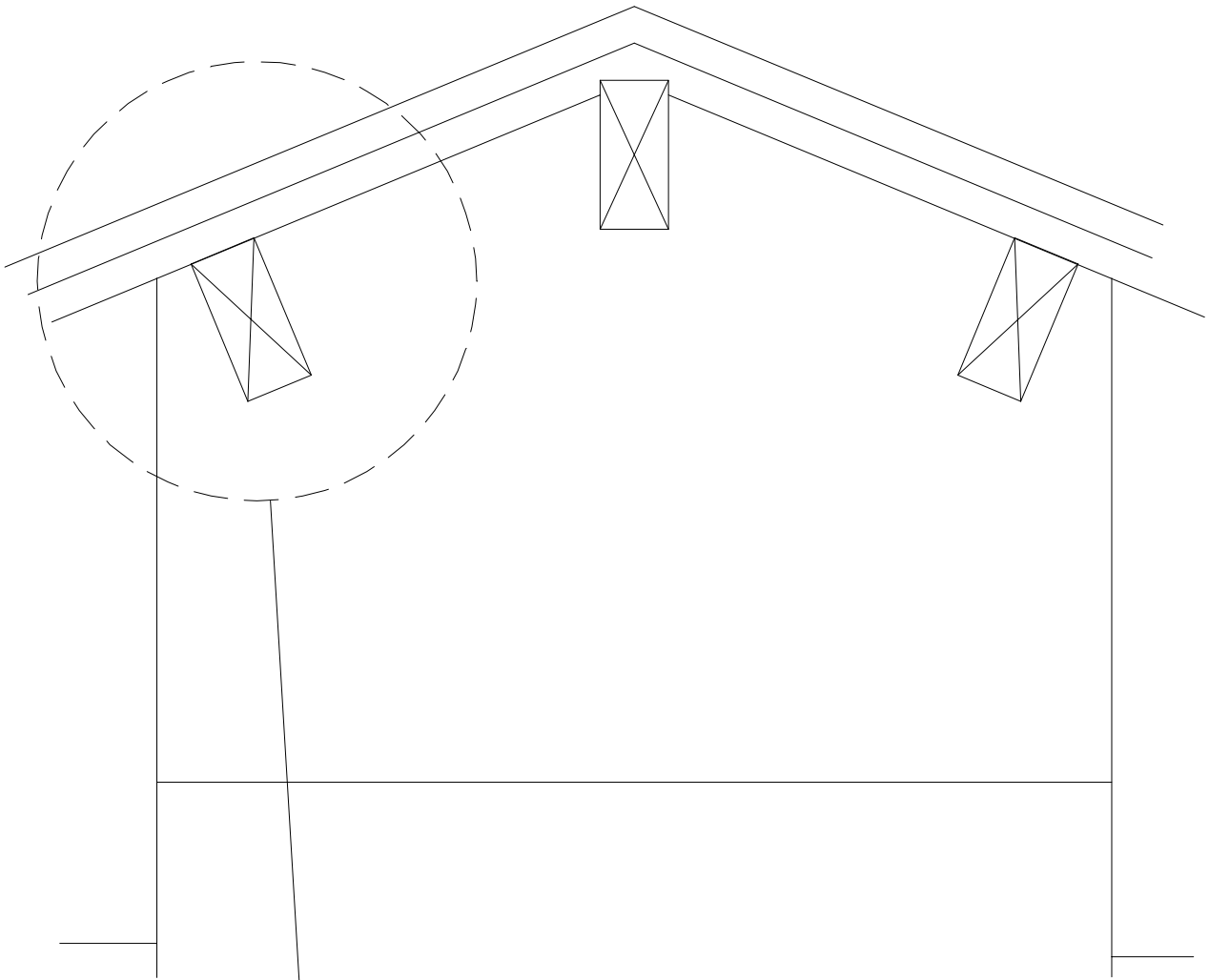


EZYCLAD TO PARAPET COMPLETE
OVER CAPPING DETAIL
SCALE 1:10



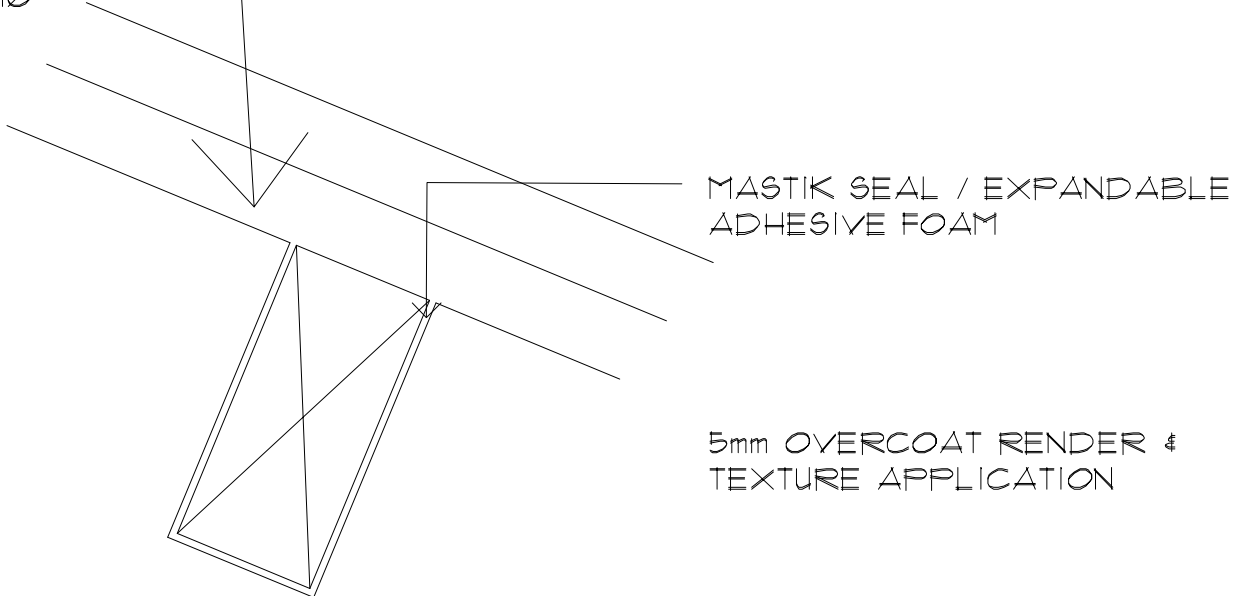
EZYCLAD TO MASONRY OR SIMILAR SURFACE DETAIL

SCALE 1:10



EZYCLAD TO EXPOSED RAFTERS
DETAIL

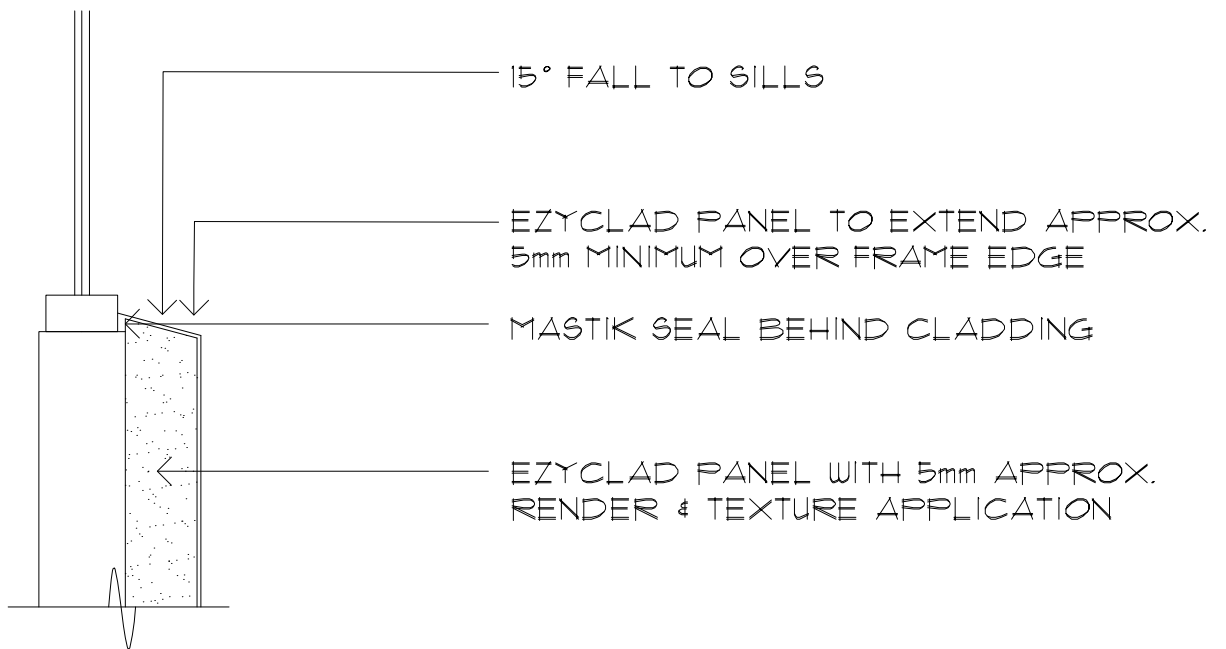
SCALE 1:10



MASTIK SEAL / EXPANDABLE
ADHESIVE FOAM

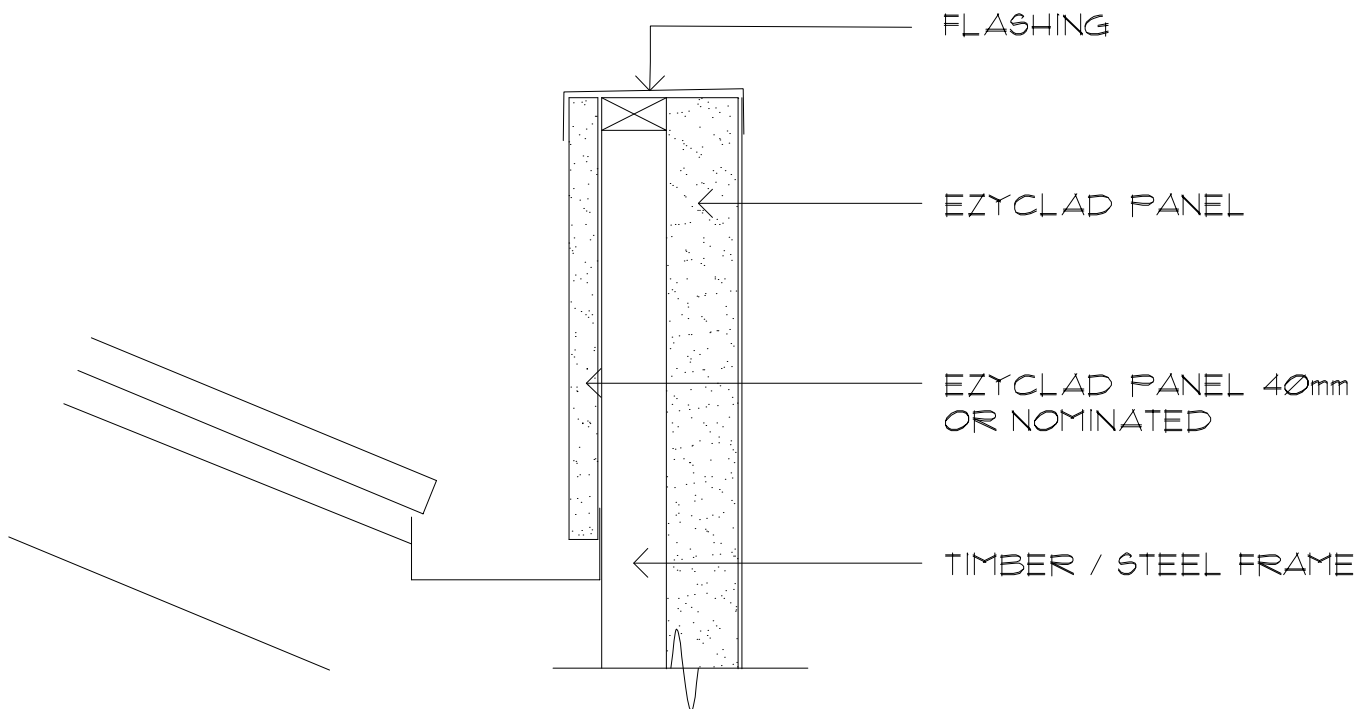
5mm OVERCOAT RENDER &
TEXTURE APPLICATION

SCALE 1:5



EZYCLAD TO COMMERCIAL WINDOW DETAIL

SCALE 1:10



FLASHING

EZYCLAD PANEL

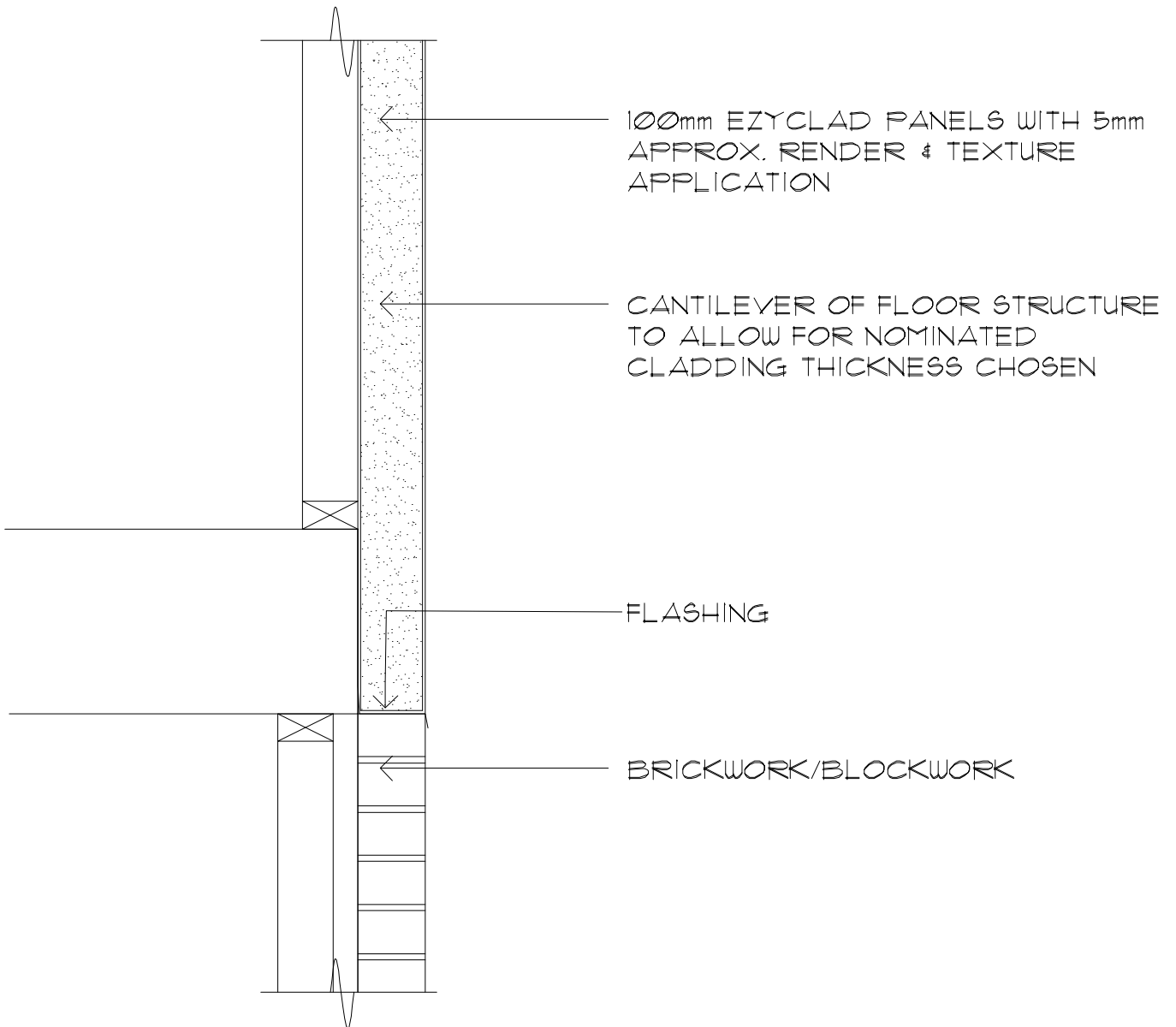
EZYCLAD PANEL 40mm OR NOMINATED

TIMBER / STEEL FRAME

*OPTIONAL USE OF SISALATION PAPER TO OCCUR BEHIND CLADDING AS SPECIFIED.

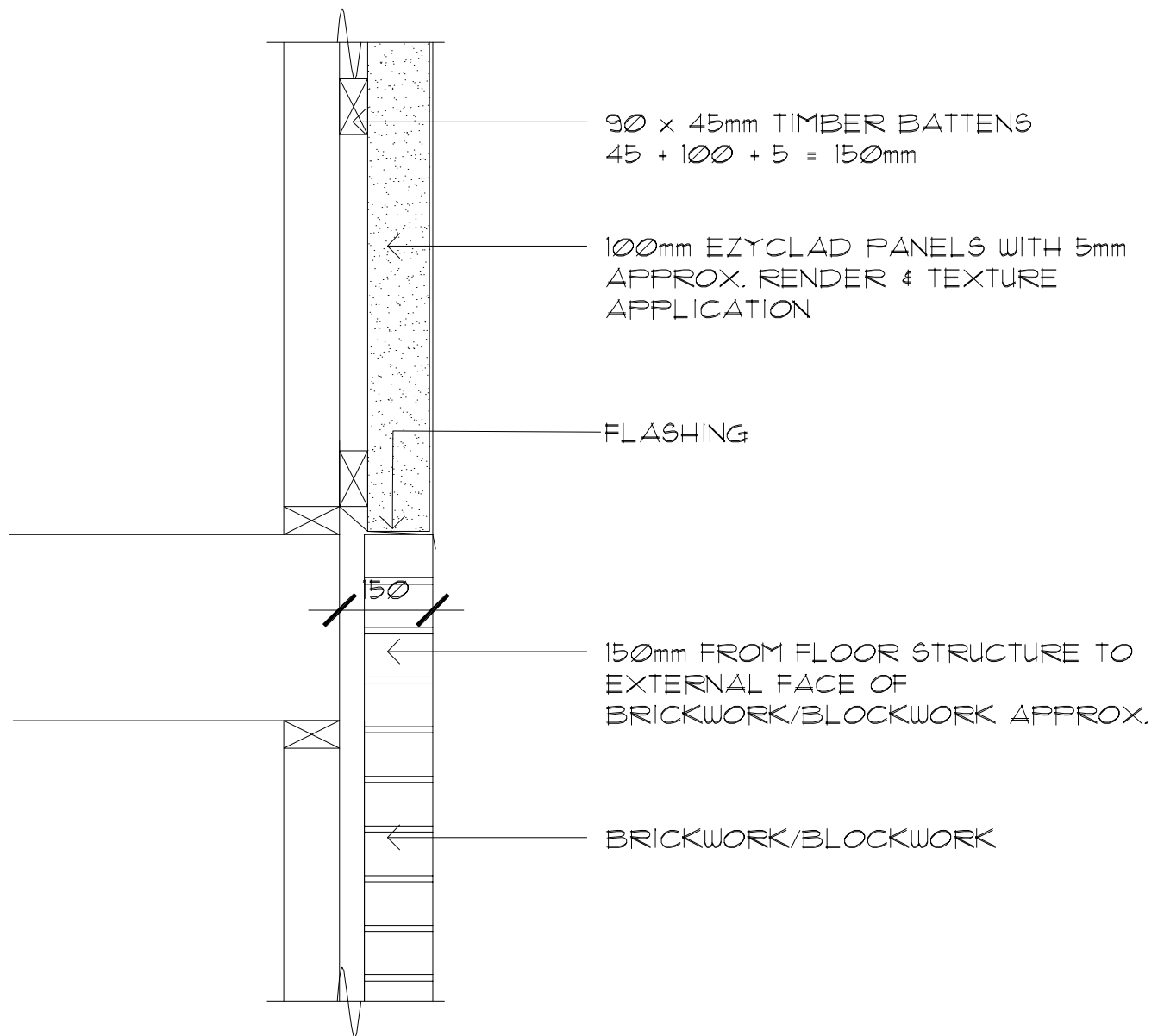
*SISALATION TO BE INSTALLED WITHOUT JOIN TO EXTEND UP OVER PARAPET AND INTO BOX GUTTER ELEVATION IF USED.

EZYCLAD TO BOTH SIDES OF
 PARAPET DETAIL
 SCALE 1:10



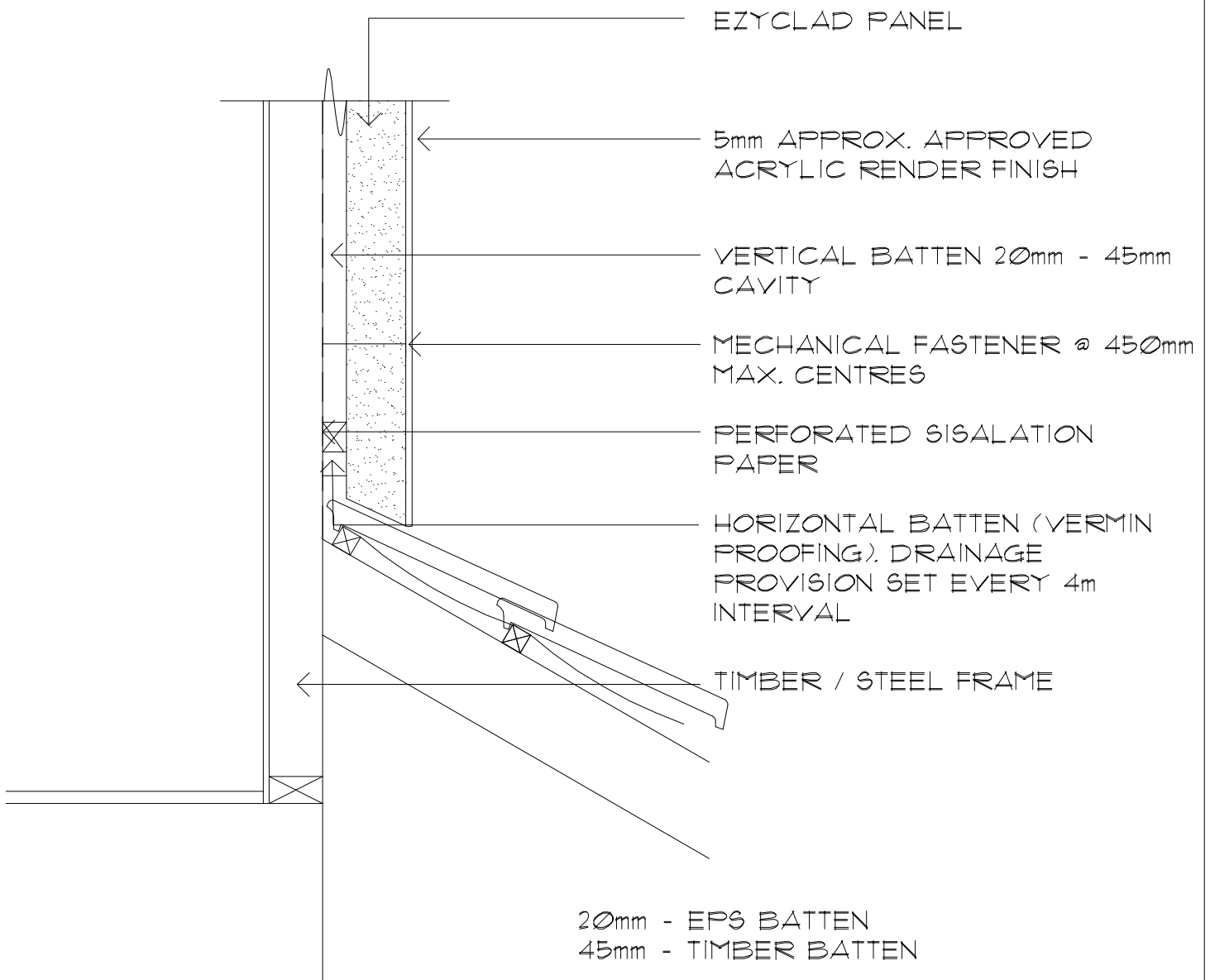
EZYCLAD GROUND TO FIRST FLOOR
 DETAIL WITH CANTILEVER OF FRAME

SCALE 1:10



EZYCLAD GROUND TO FIRST FLOOR
 DETAIL NO CANTILEVER OF FRAME

SCALE 1:10



EZYCLAD CAVITY TO ROOF LINE DETAIL

SCALE 1:10